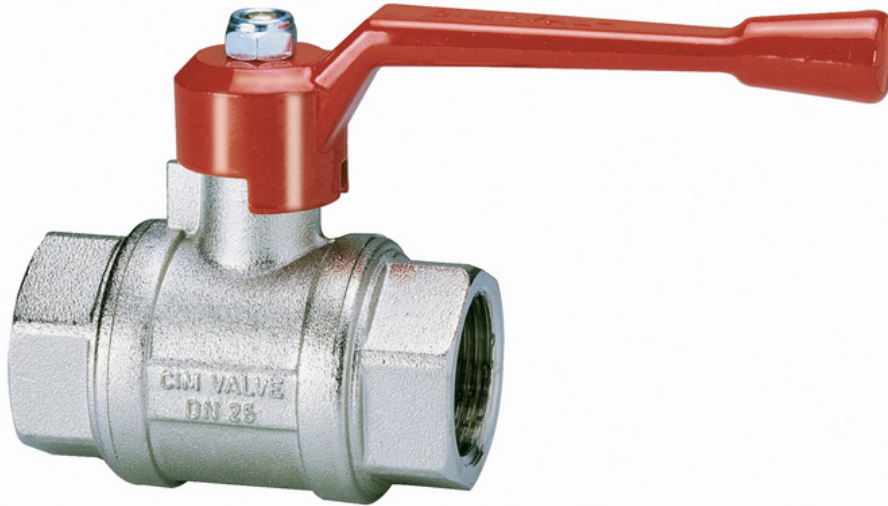


Cim 10

FULL BORE BALL VALVE - T10 SERIES - ALUMINIUM LEVER HANDLE



This article was made in compliance with the quality management requirements of standard ISO 9001:2008. All articles are tested according to the standard EN 12266-1:2003.

It can be used in a wide variety of sectors: heating, air conditioning, water, sanitary systems, pneumatic systems, oil pipelines, gasoline networks, saturated steam and generally with any non corrosive liquid.

It is guaranteed for 5 years.

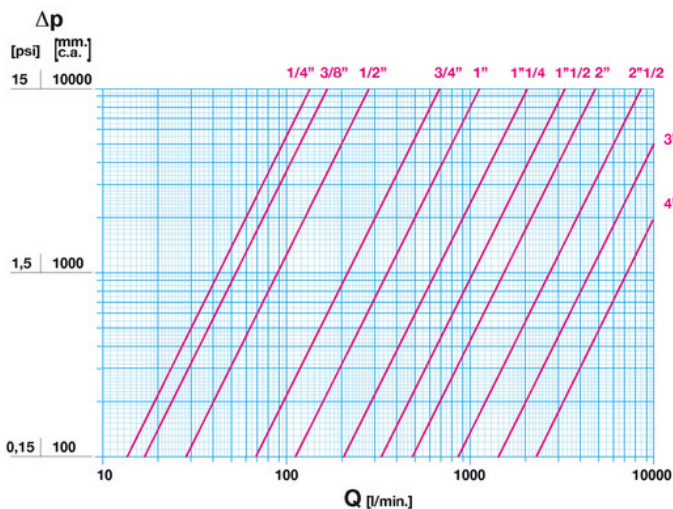
It is made of a brass alloy that complies with standard EN 12165-CW617N-M.

Nominal Pressure:

PN 100 (1/4" ÷ 1/2"); PN 64 (3/4" ÷ 1"); PN 50 (1"1/4"); PN 40 (1"1/2 ÷ 2"); PN 25 (2"1/2 ÷ 4")

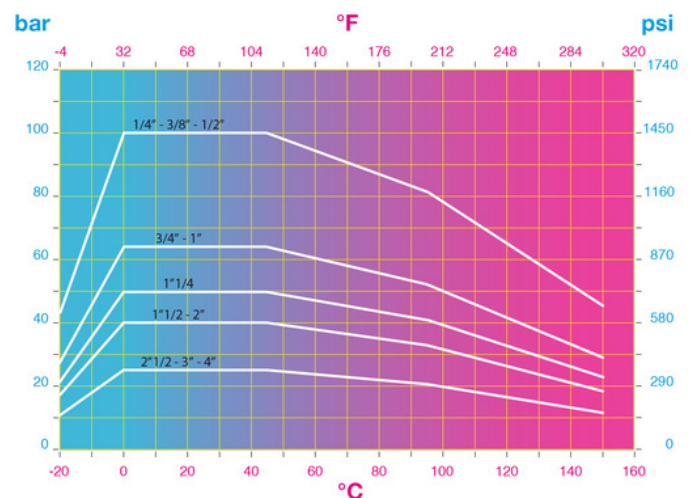
Operating temperature: -20 ÷ 150°C

FLOW AND PRESSURE DROP



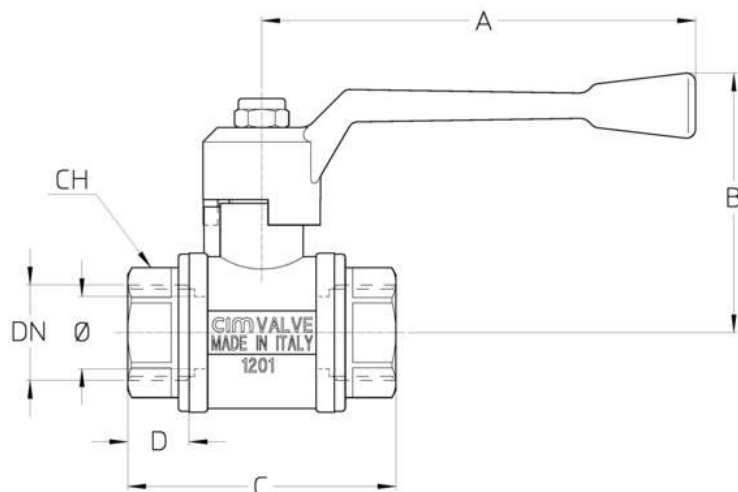
Notes:
 1 l/min = 0,06 m3/h
 1 m3/h = 16,67 l/min
 1 bar = 10.000 mm w.c.
 1 psi = 690 mm w.c.

PRESSURE TEMPERATURE RATINGS



Notes:
 1 bar = 14,5 psi
 1 bar = 14,5 lbf/in2
 $^{\circ}\text{C} = 5/9 \times (^{\circ}\text{F} - 32)$
 $^{\circ}\text{F} = 32 + (9/5 \times ^{\circ}\text{C})$

TECHNICAL DRAWING



DN	1/4"	3/8"	1/2"	3/4"	1"	1"1/4	1"1/2	2"	2"1/2	3"	4"
Ø mm	10	10	15	20	25	32	40	50	63	76	100
Grms.	180	185	340	610	830	1325	1730	3000	5800	8400	13500
A	80	80	100	120	120	150	150	150	240	240	310
B	55	55	59	72	76	95	100	107	142,5	153,5	184,5
C	47	50	64	74	88	100,5	105,5	130	158	183	222
D	12,5	13,5	17	18,5	22	24	23	28,5	31	35	43
CH	18,5	21,5	27	32	41	49	55	70	86	100	128,5

Thread:
ISO 7 - Rp

Upon request:
ISO 7 - Rc
ANSI B1.20.1 - NPT

TECHNICAL CHARACTERISTICS

KV CM CS MT											
DN	1/4"	3/8"	1/2"	3/4"	1"	1"1/4	1"1/2	2"	2"1/2	3"	4"
Ø mm	10	10	15	20	25	32	40	50	63	76	100
KV	8	10	17	41	68	123	198	290	520	850	1350
CM	1	1	3	4	5	8	10	13	15	17	19
CS	2	2	6	10	12	17	22	26	32	36	40
MT	10	10	20	45	45	93	93	93	280	280	550

KV = Capacity in m³/h at pressure drop of 1 bar.

CM = Operating torque in Nm.

CS = Starting torque in Nm.

MT = Stem breaking torque in Nm.

OUR CERTIFICATIONS

