

## Cim 100



This article was made in compliance with the quality management requirements of standard ISO 9001:2008. All articles are tested according to the standard EN 12266-1:2003. Used in fire extinguishing systems.

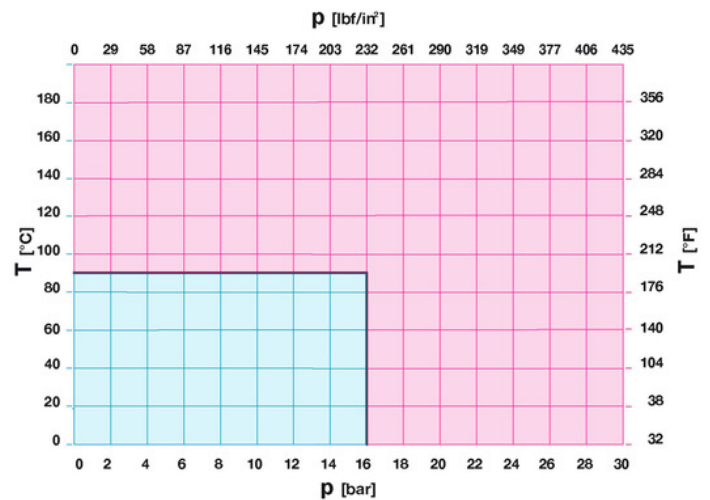
It is guaranteed for 5 years.

It is made of a brass alloy that complies with standard EN 1982-CC754S.

Nominal Pressure: PN16

Operating temperature:  $-20 \div 90^{\circ}\text{C}$

### PRESSURE TEMPERATURE RATINGS



Notes:

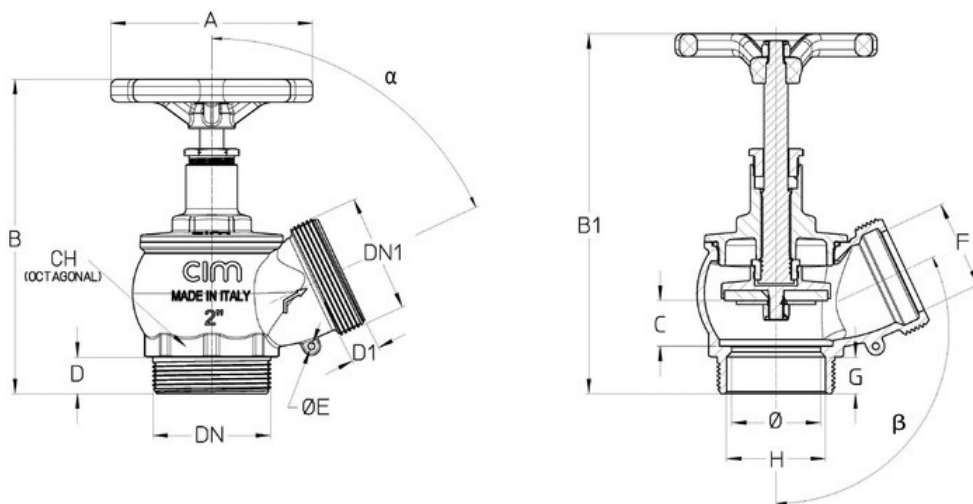
1 bar = 14,5 psi

1 bar = 14,5 lbf/in<sup>2</sup>

$^{\circ}\text{C} = 5/9 \times (^{\circ}\text{F} - 32)$

$^{\circ}\text{F} = 32 + (9/5 \times ^{\circ}\text{C})$

# TECHNICAL DRAWING



DNxDN1	1"1/2x1"1/2	2"x2"	2"1/2x2"1/2
Ø mm	32	45	62
ØE mm	3,5	3,5	3,5
<b>Grms.</b>	<b>695</b>	<b>1455</b>	<b>1925</b>
A	80	105	105
B	119,5	158,5	173,5
B1	140,5	181,5	199,5
C	21	23	26
D	15	18,5	19,5
D1	16,5	15	15
F	38	44,5	64,5
G	14	18,5	21
H	39	50	63
α	50	65	65
β	130	115	115

Thread:  
ISO 228/1G - Rp