

Cim 1430N

BRASS PRESSURE REDUCER FEMALE/FEMALE CONNECTIONS - NICKEL PLATED



This article was made in compliance with the quality management requirements of standard ISO 9001:2008. All articles are tested according to the standard EN 12266-1:2003.

It can be used in a wide variety of sectors: drinking water distribution networks, heating systems, air conditioning, sanitary systems and generally with any non corrosive liquid.

It is guaranteed for 5 years.

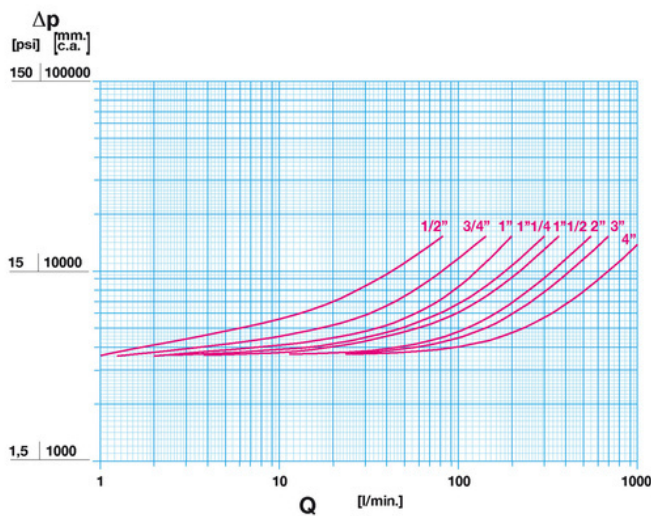
It is made of a brass alloy that complies with standard EN 12165-CW617N-M.

Nominal Pressure: PN 25

Operating temperature: 0 to 80°C

Adjustment range: 0.5 to 6 bar

FLOW AND PRESSURE DROP



Notes:

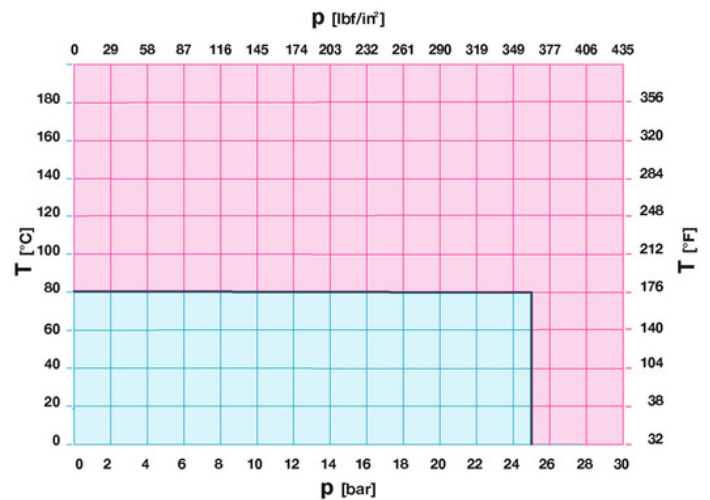
1 l/min = 0,06 m3/h

1 m3/h = 16,67 l/min

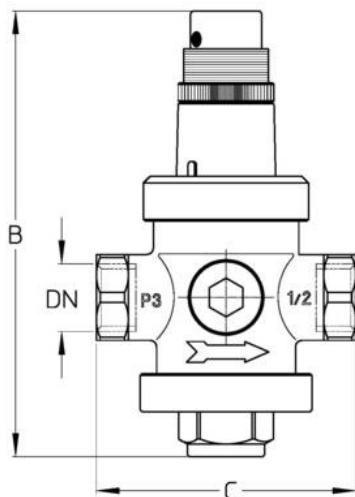
1 bar = 10.000 mm w.c.

1 psi = 690 mm w.c.

PRESSURE TEMPERATURE RATINGS



TECHNICAL DRAWING



DN	1/2"	3/4"	1"	1"1/4	1"1/2	2"	2"1/2	3"	4"
Grms.	790	1130	1340	2300	2400	3100	4100	5520	6970
B	120	150	160	220	220	250	260	285	310
C	75	85	91	116	125	140	148	177	190

Thread:
ISO 228

TECHNICAL CHARACTERISTICS

Ideal flow rates									
DN	1/2"	3/4"	1"	1"1/4	1"1/2	2"	2"1/2	3"	4"
Flow (l/min)	20÷50	50÷75	75÷95	95÷130	110÷140	120÷160	140÷180	160÷220	200÷260
Flow (m3/h)	1,2÷3	3÷4,5	4,5÷6	6÷8	7÷8,5	7,5÷10	8,5÷11	10÷13,2	12÷15,6

OUR CERTIFICATIONS

