

Cim 46F

RIGHT ANGLE BALL VALVES- MALE/COMPRESSION ENDS WITH STRAINER



This article was made in compliance with the quality management requirements of standard ISO 9001:2008. All articles are tested according to the standard EN 12266-1:2003.

It can be used in a wide variety of sectors: heating, air conditioning, water, sanitary systems, pneumatic systems and generally with any non corrosive liquid.

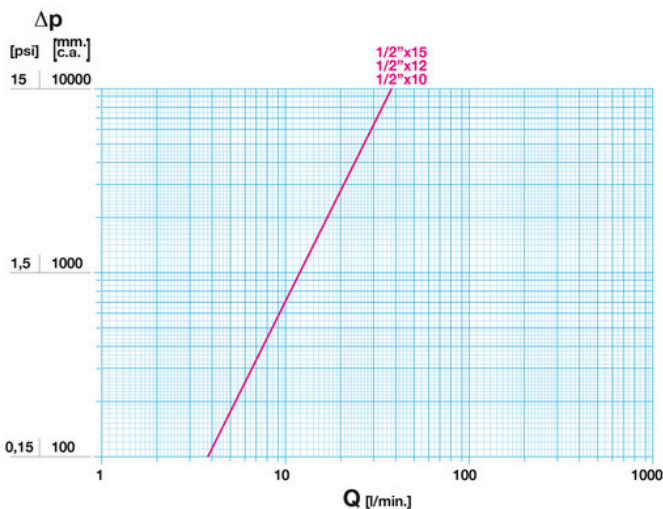
It is guaranteed for 5 years.

It is made of a brass alloy that complies with standard EN 12165-CW617N-M.

Nominal Pressure: PN 16

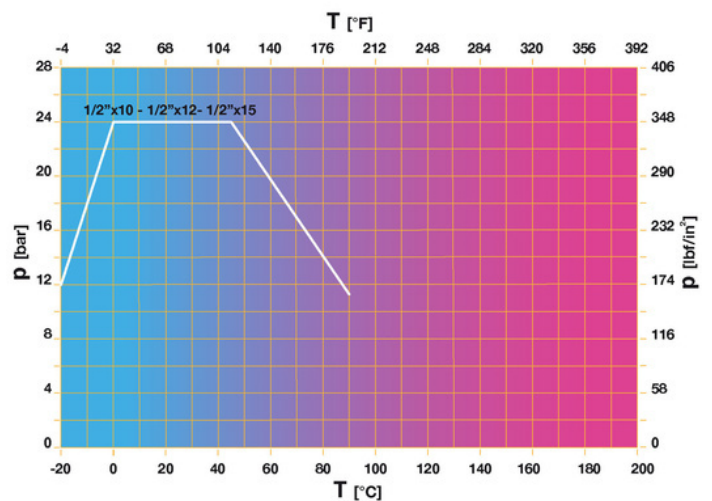
Operating temperature: -20 to 90°C

FLOW AND PRESSURE DROP



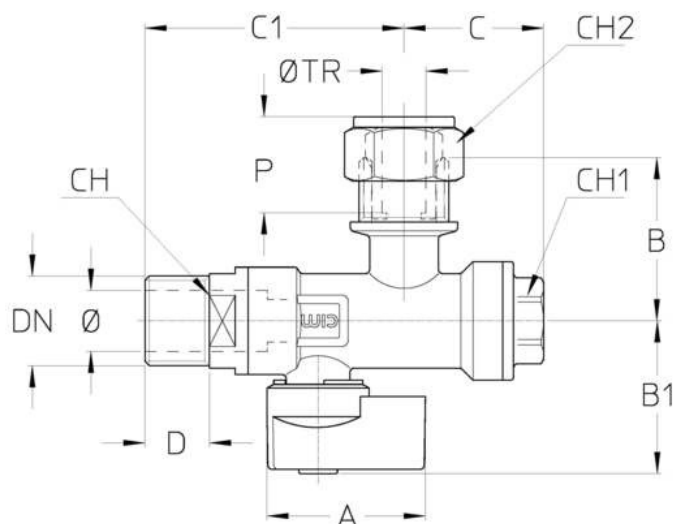
Notes:
 1 l/min = 0,06 m3/h
 1 m3/h = 16,67 l/min
 1 bar = 10.000 mm w.c.
 1 psi = 690 mm w.c.

PRESSURE TEMPERATURE RATINGS



Notes:
 1 bar = 14,5 psi
 1 bar = 14,5 lbf/in2
 °C = 5/9 x (°F-32)
 °F = 32 + (9/5 x °C)

TECHNICAL DRAWING



DN	1/2"	1/2"	1/2"
Ø TR	10	12	15
Ø mm	9	9	9
Grms.	250	250	245
A	37	37	37
B	48	48	45,5
B1	35	35	35
C	32,5	32,5	32,5
C1	60	60	60
D	15	15	15
P	20	20	21,5
CH	22	22	22
CH1	18	18	18
CH2	24	24	24

Thread:
ISO 228

TECHNICAL CHARACTERISTICS

	KV CM CS MT		
DNxTR	1/2"x10	1/2"x12	1/2"x15
Ø mm	9	9	9
KV	2,3	2,3	2,3
CM	1,5	1,5	1,5
CS	2	2	2
MT	9	9	9

KV = Capacity in m³/h at pressure drop of 1 bar.

CM = Operating torque in Nm.

CS = Starting torque in Nm.

MT = Stem breaking torque in Nm.

OUR CERTIFICATIONS

