

Cim 50

GATE VALVE COMPACT TYPE - PN 16



This article was made in compliance with the quality management requirements of standard ISO 9001:2008. All articles are tested according to the standard EN 12266-1:2003.

It can be used in a wide variety of sectors: heating, air conditioning, water, sanitary systems, oil pipelines, gasoline networks, saturated steam and generally with any non corrosive liquid.

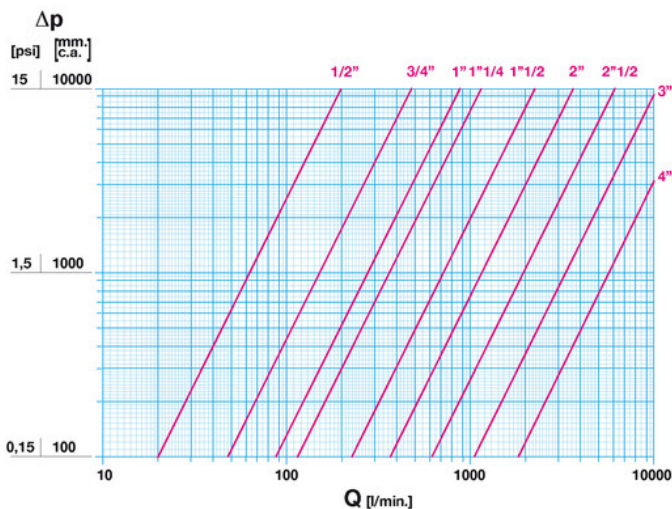
It is guaranteed for 5 years

It is made of a brass alloy that complies with standard EN 12165-CW617N-M.

Nominal Pressure: PN16

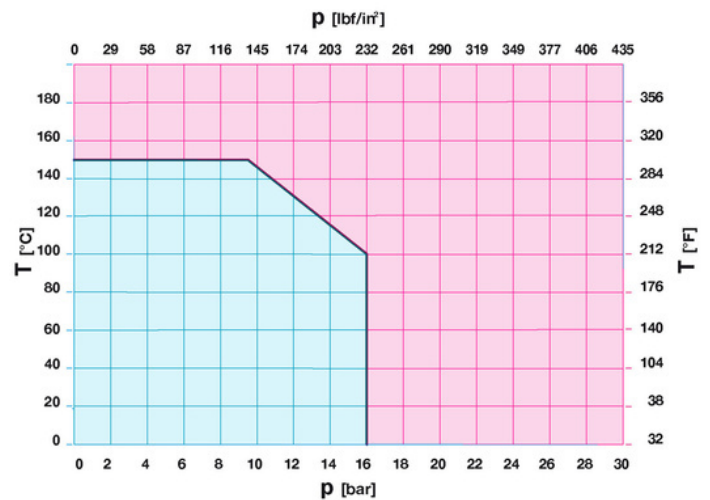
Operating temperature: -10 ÷ 150°C

FLOW AND PRESSURE DROP



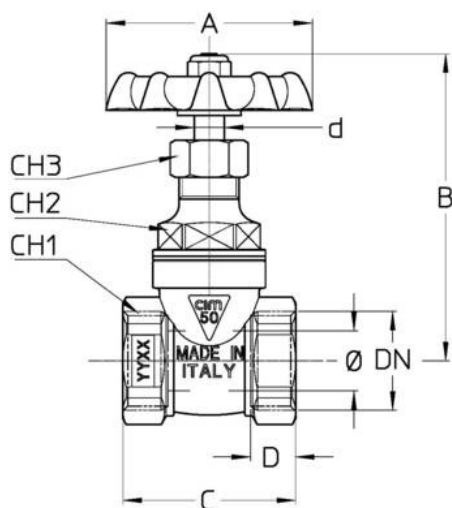
Notes:
 1 l/min = 0,06 m3/h
 1 m3/h = 16,67 l/min
 1 bar = 10.000 mm w.c.
 1 psi = 690 mm w.c.

PRESSURE TEMPERATURE RATINGS



Notes:
 1 bar = 14,5 psi
 1 bar = 14,5 lbf/in2
 $^{\circ}\text{C} = 5/9 \times (^{\circ}\text{F} - 32)$
 $^{\circ}\text{F} = 32 + (9/5 \times ^{\circ}\text{C})$

TECHNICAL DRAWING



DN	1/2"	3/4"	1"	1"1/4	1"1/2	2"	2"1/2	3"	4"
Ø mm	13	16	23	28	33	45	59	68	85
Grms.	210	255	365	510	695	1120	2065	2835	4960
A	50	55	60	65	65	80	110	110	120
B	79	82,5	95,5	102,5	115,5	139	181,5	201	239,5
C	42	46	50	55	60	67	69	77	91
D	11,5	12	14	16	17	18	14,5	19	21
CH1	25	31	37	47	54	68	85	97	125
CH2	24	24	30	32	32	45	55	66	88
CH3	18	18	18	18	21	23	30	30	33
d	8	8	8	8	9	10	13	13	14

Thread:
ISO 228

Upon request:
ANSI B.1.20.1 - NPT

TECHNICAL CHARACTERISTICS

KV									
DN	1/2"	3/4"	1"	1"1/4	1"1/2	2"	2"1/2	3"	4"
KV	12	29	51	68	138	222	366	624	1065

KV = Flow rate in m³/h with a pressure drop of 1 bar

OUR CERTIFICATIONS

