

Cim 70B

GATE VALVE STANDARD TYPE - PN 20



This article was made in compliance with the quality management requirements of standard ISO 9001:2008. All articles are tested according to the standard EN 12266-1:2003.

It can be used in a wide variety of sectors: heating, air conditioning, water, sanitary systems, oil pipelines, gasoline networks, saturated steam and generally with any non corrosive liquid.

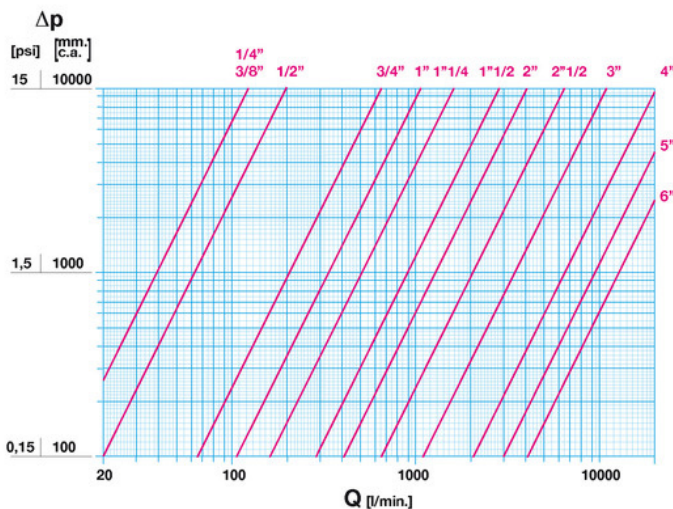
It is guaranteed for 5 years

Made of a brass alloy in compliance with standard EN 12165-CW617N-M in sizes up to 4" and also of a bronze alloy made in compliance with standard EN 1982-CC491K in 5" and 6" sizes.

Nominal Pressure: PN20 (1/4" - 4"); PN10 (5" and 6")

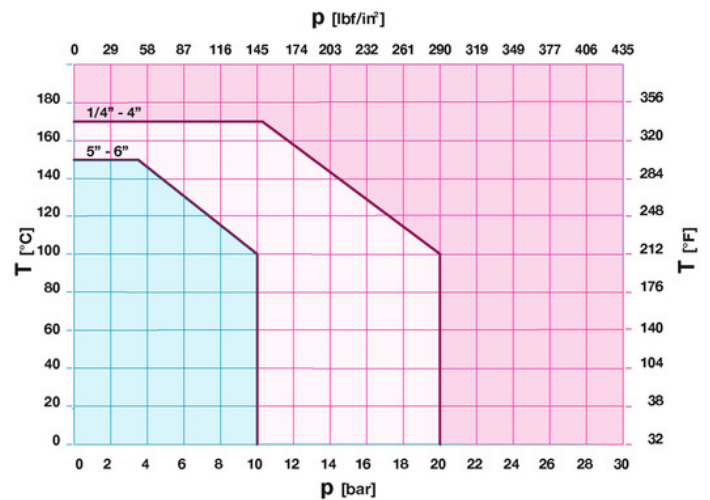
Operating temperature: -10 ÷ 170°C (1/4"÷4"); -10 ÷ 150°C (5" and 6")

FLOW AND PRESSURE DROP



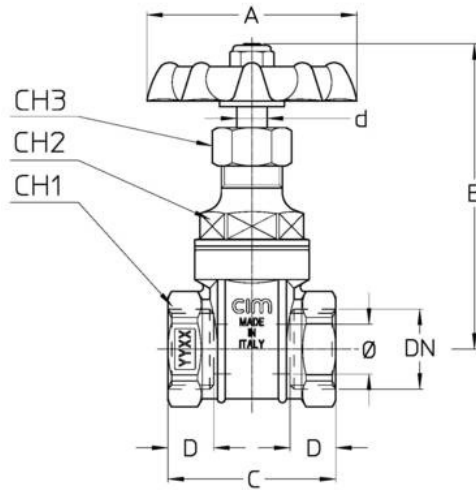
Notes:
 1 l/min = 0,06 m3/h
 1 m3/h = 16,67 l/min
 1 bar = 10.000 mm w.c.
 1 psi = 690 mm w.c.

PRESSURE TEMPERATURE RATINGS



Notes:
 1 bar = 14,5 psi
 1 bar = 14,5 lbf/in2
 °C = 5/9 x (°F-32)
 °F = 32 + (9/5 x °C)

TECHNICAL DRAWING



DN	1/4"	3/8"	1/2"	3/4"	1"	1"1/4	1"1/2	2"	2"1/2	3"	4"	5"	6"
Ø mm	12	12	13	19	24	32	37	47	59	70	94	118,5	140
Grms.	210	195	250	390	520	720	990	1440	2400	3455	5875	10605	14200
A	50	50	55	60	65	75	80	90	110	120	140	175	175
B	71	72	81	95	104,5	120,5	135	149	186	206,5	263	318	358
C	40	40	44	48	54	60	64	72	80	85	97	112	122
D	11	11	12	14	15	17	17	20,5	21	22	23,5	28	26
CH1	23	23	27	34	40	50	56	69	85	101	127	155	180
CH2	20	20	24	30	32	32	39	47	55	66	84	114	136
CH3	17	17	18	18	18	21	23	25	30	30	37	45	50
d	7	7	8	8	8	10	10	12	13	14	17	19	21

Thread:
ISO 228

TECHNICAL CHARACTERISTICS

KV

DN	1/4"	3/8"	1/2"	3/4"	1"	1"1/4	1"1/2	2"	2"1/2	3"	4"	5"	6"
KV	7	7	12	39	61	96	171	246	372	660	1212	1500	1818

KV = Flow rate in m³/h with a pressure drop of 1 bar

OUR CERTIFICATIONS

