

Cim 717HF

PRESSURE INDEPENDENT CONTROL VALVE "HIGH FLOW"



This article was made in compliance with the quality management requirements of standard ISO 9001:2008. All articles are tested according to the standard EN 12266-1:2003.

It can be used in a wide variety of sectors: heating, air conditioning, water, sanitary systems and generally with any non corrosive liquid.

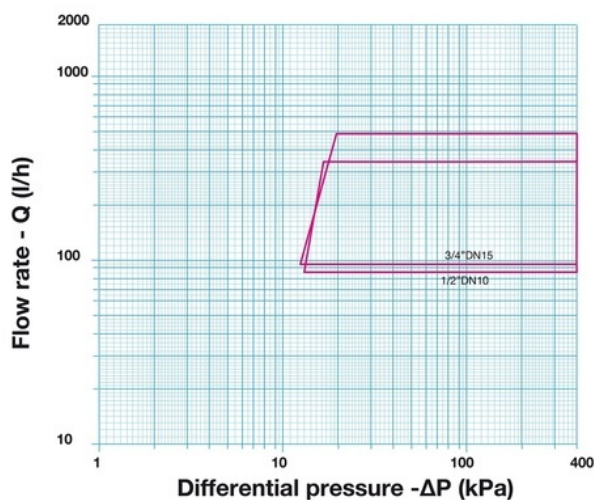
It is guaranteed for 5 years.

It is made of a brass alloy that complies with standard EN 12165-CW602N-M.

Nominal Pressure: PN25

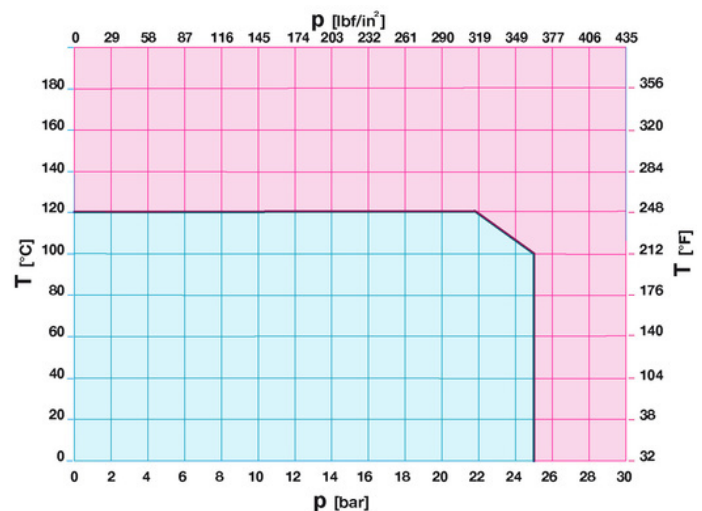
Operating temperature: -10 to 120°C

FLOW AND PRESSURE DROP



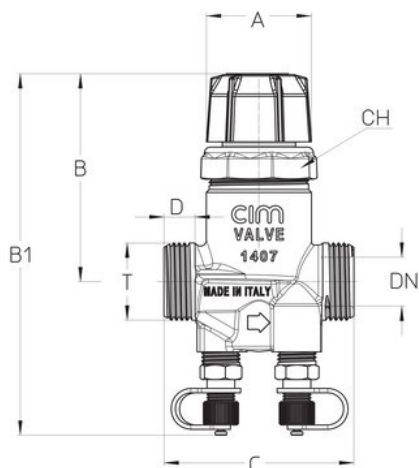
Notes:
 1 l/s = 3.6 m³/h
 1 m³/h = 0.278 l/s
 1 kPa = approx. 100 mm
 1 bar = 100 kPa

PRESSURE TEMPERATURE RATINGS



Notes:
 1 bar = 14,5 psi
 1 bar = 14,5 lbf/in²
 °C = 5/9 x (°F-32)
 °F = 32 + (9/5 x °C)

TECHNICAL DRAWING



| | | |
|--------------|------------|------------|
| DN | 10 | 15 |
| Grms. | 450 | 490 |
| A | 35 | 35 |
| B | 75 | 75 |
| B1 | 130 | 134 |
| C | 53 | 65 |
| D | 9 | 11 |
| T | G. 1/2" | G. 3/4" |
| CH | 38 | 38 |

Thread:
ISO 228

TECHNICAL CHARACTERISTICS

| DN | 1/2"DN10 | 3/4"DN15 |
|--------------|-------------|-------------|
| Flow (l/h) | 86÷347 | 96÷483 |
| Flow (l/s) | 0,024÷0,097 | 0,027÷0,134 |
| Flow (GPM) | 0,37÷1,53 | 0,42÷2,13 |
| Min ΔP (kPa) | 16,5 | 19,5 |
| Kv | 0,86 | 1,05 |

KV = Flow rate in m³/h with a pressure drop of 1 bar

OUR CERTIFICATIONS

