

Cim 727

BALANCING VALVE - PN 20 - "CR" BRASS



This article was made in compliance with the quality management requirements of standard ISO 9001:2008. All articles are tested according to the standard EN 12266-1:2003.

It can be used in a wide variety of sectors: heating, air conditioning, water, sanitary systems and generally with any non corrosive liquid.

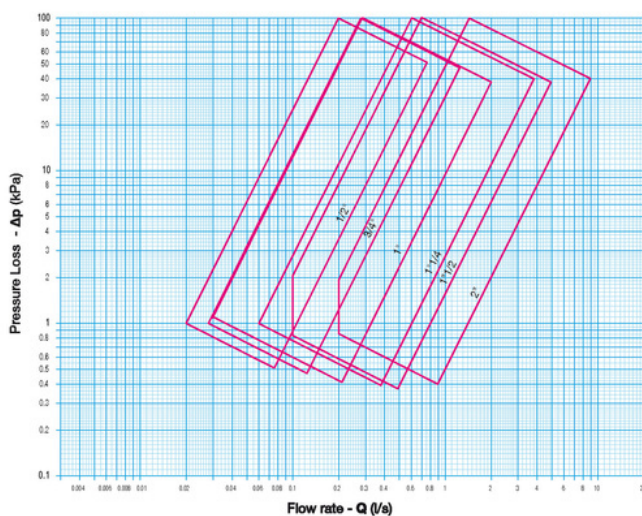
It is guaranteed for 5 years.

It is made of a brass alloy that complies with standard EN 1982-CC752S.

Nominal Pressure: PN20

Operating temperature: -10 to 120°C

FLOW AND PRESSURE DROP



Notes:

1 l/s = 3.6 m³/h

1 m³/h = 0.278 l/s

1 kPa = approx. 100 mm

1 bar = 100 kPa

PRESSURE TEMPERATURE RATINGS



Notes:

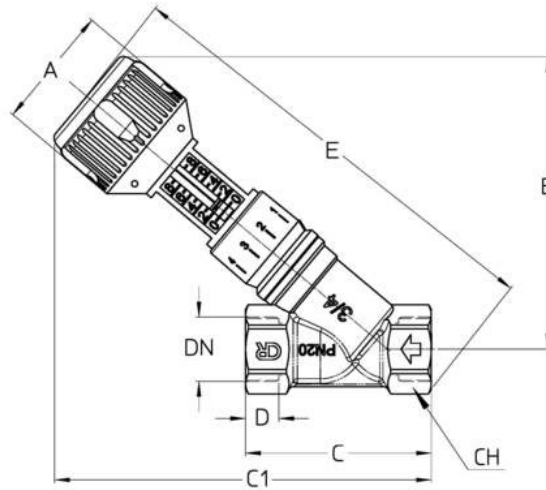
1 bar = 14,5 psi

1 bar = 14,5 lbf/in²

°C = 5/9 x (°F-32)

°F = 32 + (9/5 x °C)

TECHNICAL DRAWING



DN	1/2"L	1/2"	3/4"	1"	1"1/4	1"1/2	2"
Grms.	475	475	645	845	1280	1835	2860
A	51	51	51	51	51	57	57
B	104	104	121	133	141	181	190
C	68	68	77	91	108	116	143
C1	138	138	156,5	161	172	213	231,5
D	16,5	16,5	18	21	23	23	26
E	161	161	187	200	219	275	300
CH	28	28	33	40	51	56	71

Thread:
ISO 7 - Rp

Handle color:
Blue
Upon request:
Black
Green

TECHNICAL CHARACTERISTICS

KV							
DN	1/2"L	1/2"	3/4"	1"	1"1/4	1"1/2	2"
KV	1,28	3,91	7,28	11,76	21,60	28,46	50,52

KV = Flow rate in m³/h with a pressure drop of 1 bar

OUR CERTIFICATIONS

