

## Cim 747

**BALANCING VALVE - FIXED ORIFICE - PN 25 - "CR" BRASS**



This article was made in compliance with the quality management requirements of standard ISO 9001:2008. All articles are tested according to the standard EN 12266-1:2003.

It can be used in a wide variety of sectors: heating, air conditioning, water, sanitary systems and generally with any non corrosive liquid.

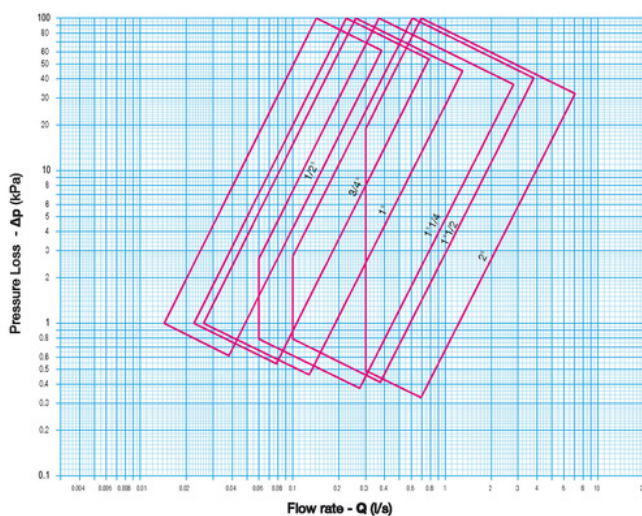
It is guaranteed for 5 years.

It is made of a brass alloy that complies with standard EN 1982-CC752S.

Nominal Pressure: PN25

Operating temperature: -10 to 120°C

### FLOW AND PRESSURE DROP



Notes:

1 l/s = 3.6 m<sup>3</sup>/h

1 m<sup>3</sup>/h = 0.278 l/s

1 kPa = approx. 100 mm

1 bar = 100 kPa

### PRESSURE TEMPERATURE RATINGS



Notes:

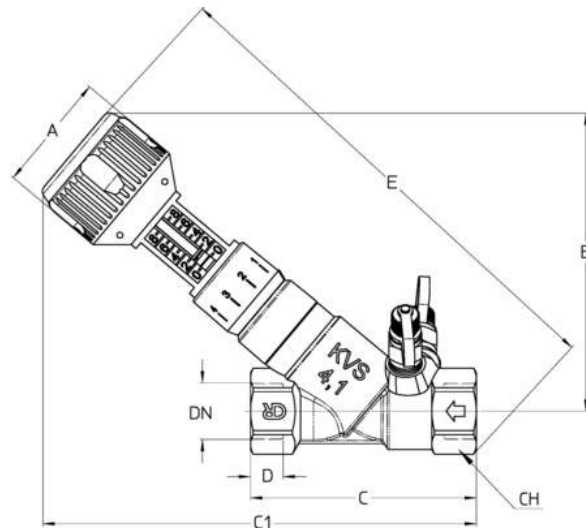
1 bar = 14,5 psi

1 bar = 14,5 lbf/in<sup>2</sup>

°C = 5/9 x (°F-32)

°F = 32 + (9/5 x °C)

## TECHNICAL DRAWING



DN	1/2"	3/4"	1"	1"1/4	1"1/2	2"
<b>Grms.</b>	<b>700</b>	<b>980</b>	<b>1140</b>	<b>1660</b>	<b>2500</b>	<b>3740</b>
A	51	51	51	51	57	57
B	111	128	138	141,5	181	190,5
C	85	97	113	144	163	193
C1	163	187	188	208,5	260	281,5
D	15	16	20	21	21	28
E	184	215	223	244	308	337
CH	28	33	40	51	56	71

Thread:  
ISO 7 - Rp

Handle color:  
Blue  
Upon request:  
Black  
Green

## TECHNICAL CHARACTERISTICS

	KV KVS					
DN	1/2"	3/4"	1"	1"1/4	1"1/2	2"
KV	1,75	3,77	6,96	15,83	21,05	43,90
KVS	1,80	4,10	7,50	16,60	23,00	47,40

KV = Flow rate in m<sup>3</sup>/h at a pressure drop of 1 bar

KVS = Water flow rate that causes a pressure drop of 1 bar measured on the pressure connections

## OUR CERTIFICATIONS

