

Cim 75

GLOBE VALVE METAL SEAT - PN 16 - BRONZE



This article was made in compliance with the quality management requirements of standard ISO 9001:2008. All articles are tested according to the standard EN 12266-1:2003.

It can be used in a wide variety of sectors and in any industrial or agricultural application where a regulation is required: heating, water, sanitary systems, pneumatic systems, saturated steam, oil, gasoline and other hydrocarbons and generally with any non corrosive liquid.

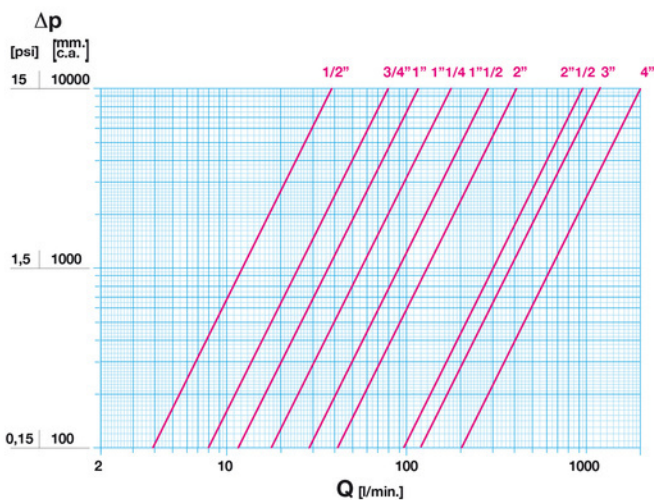
It is guaranteed for 5 years.

It is made of a bronze alloy that complies with standard EN 1982-CC491K.

Nominal Pressure: PN16

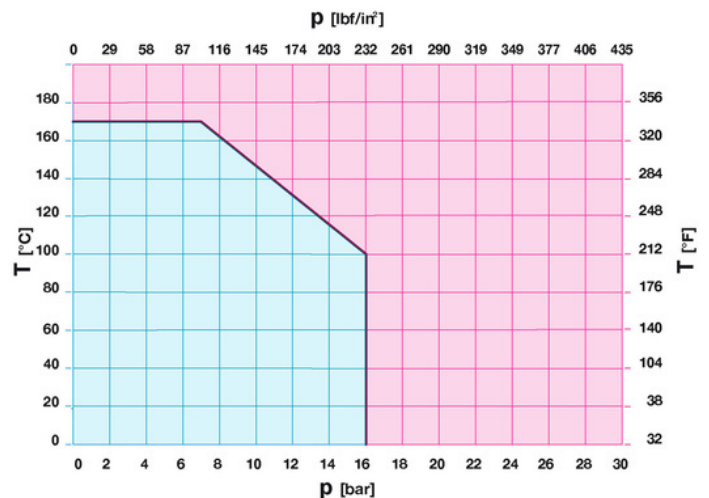
Operating temperature: $-10 \div 170^{\circ}\text{C}$

FLOW AND PRESSURE DROP



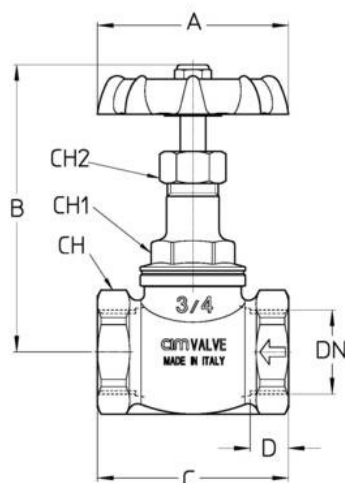
Notes:
 1 l/min = 0,06 m³/h
 1 m³/h = 16,67 l/min
 1 bar = 10.000 mm w.c.
 1 psi = 690 mm w.c.

PRESSURE TEMPERATURE RATINGS



Notes:
 1 bar = 14,5 psi
 1 bar = 14,5 lbf/in²
 $^{\circ}\text{C} = 5/9 \times (^{\circ}\text{F} - 32)$
 $^{\circ}\text{F} = 32 + (9/5 \times ^{\circ}\text{C})$

TECHNICAL DRAWING



DN	1/2"	3/4"	1"	1"1/4	1"1/2	2"	2"1/2	3"	4"
Grms.	295	440	635	980	1280	1900	3930	5055	10500
A	55	60	65	65	75	80	120	120	175
B	78	89	100	116	130	143,5	200	223	280
C	50	60	70	84	90	110	135	148	190
D	11	12	14,5	15,5	16	18	23,5	24	23
CH	27	35	42	51	58	70	88	100	129
CH1	23	23	28	33	37	45	55	63	80
CH2	18	18	21	23	25	27	37	39	50

Thread:
ISO 228

Upon request:
ANSI B.1.20.1 - NPT

TECHNICAL CHARACTERISTICS

KV									
DN	1/2"	3/4"	1"	1"1/4	1"1/2	2"	2"1/2	3"	4"
KV	2,3	4,8	7	11	17	25	57	72	120

KV = Flow rate in m³/h with a pressure drop of 1 bar

OUR CERTIFICATIONS

