

Cim 787

BALANCING VALVE - VARIABLE ORIFICE - PN 25 - "CR" BRASS



This article was made in compliance with the quality management requirements of standard ISO 9001:2008. All articles are tested according to the standard EN 12266-1:2003.

It can be used in a wide variety of sectors: heating, air conditioning, water, sanitary systems and generally with any non corrosive liquid.

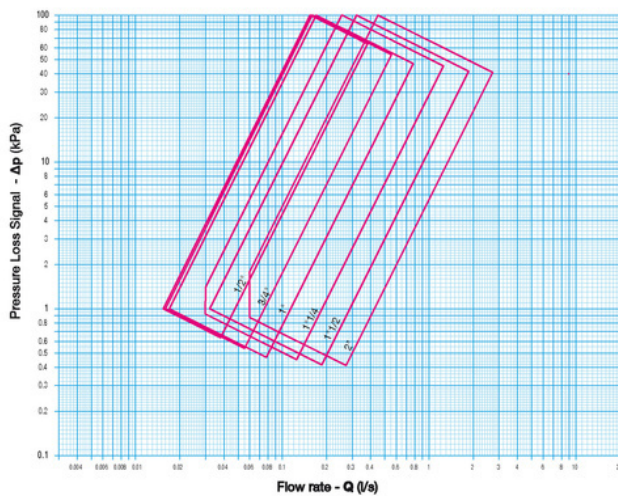
It is guaranteed for 5 years.

It is made of a brass alloy that complies with standard EN 12165-CW602N-M.

Nominal Pressure: PN25

Operating temperature: -10 to 120°C

FLOW AND PRESSURE DROP



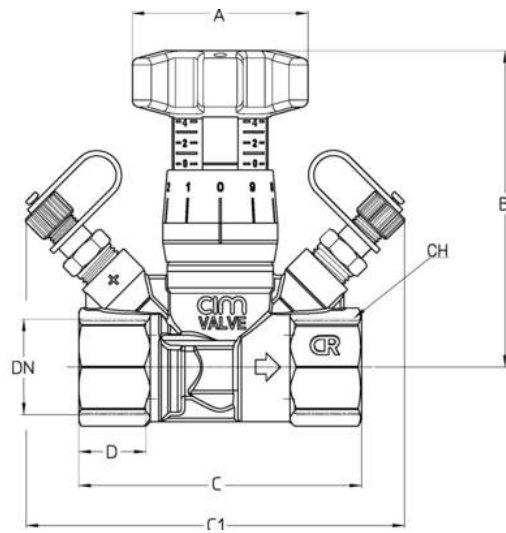
Notes:
 1 l/s = 3.6 m³/h
 1 m³/h = 0.278 l/s
 1 kPa = approx. 100 mm
 1 bar = 100 kPa

PRESSURE TEMPERATURE RATINGS



Notes:
 1 bar = 14,5 psi
 1 bar = 14,5 lbf/in²
 °C = 5/9 x (°F-32)
 °F = 32 + (9/5 x °C)

TECHNICAL DRAWING



DN	1/2"	3/4"	1"	1"1/4	1"1/2	2"
Grms.	380	440	535	960	1120	1350
A	50	50	50	50	50	50
B	87,5	89,5	91,5	99	99	100
C	77	80	87	108	115	124
C1	106	107	107	123	129	132
D	17	18,5	21	22,5	23	26,5
CH	25	31	38	48	55	66

Threads:
ISO 7 - Rp

TECHNICAL CHARACTERISTICS

KV - KVS

DN	1/2"	3/4"	1"	1"1/4	1"1/2	2"
KV - KVS	1,75	2,87	4,08	6,71	10,40	15,06

KV = Flow rate in m³/h at a pressure drop of 1 bar

KVS = Water flow rate that causes a pressure drop of 1 bar measured on the pressure connections

OUR CERTIFICATIONS

