

## Cim 788

**PRE-SETTING BALANCING VALVE - VARIABLE ORIFICE - PN 25 - "CR" BRASS**



This article was made in compliance with the quality management requirements of standard ISO 9001:2008. All articles are tested according to the standard EN 12266-1:2003.

It can be used in a wide variety of sectors: heating, air conditioning, water, sanitary systems and generally with any non corrosive liquid.

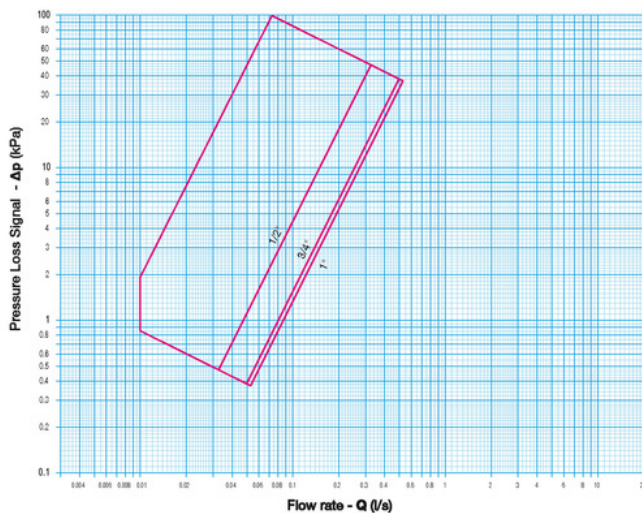
It is guaranteed for 5 years.

It is made of a brass alloy that complies with standard EN 12165-CW602N-M.

Nominal Pressure: PN25

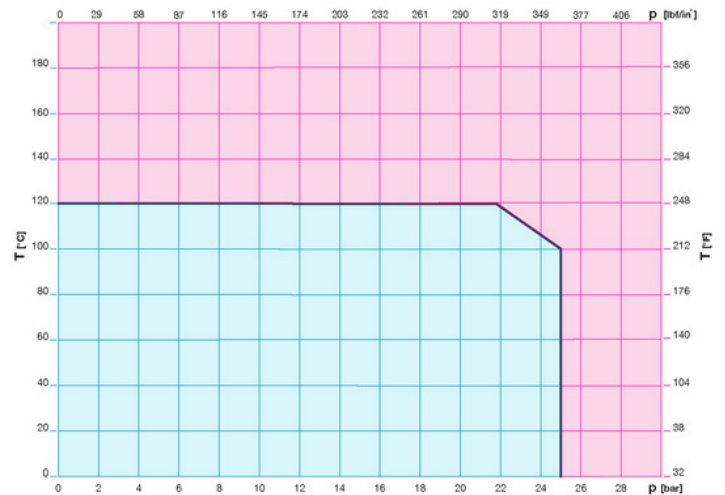
Operating temperature: -10 to 120°C

### FLOW AND PRESSURE DROP



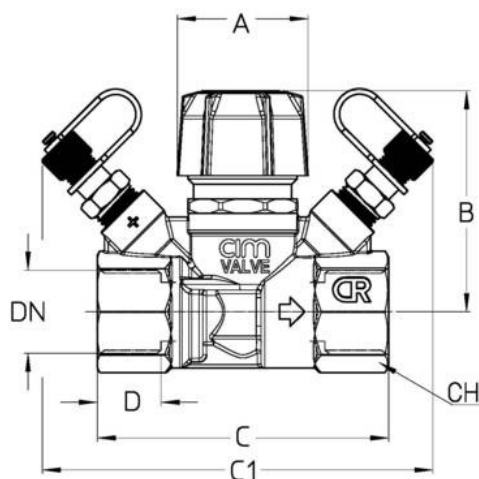
Notes:  
 1 l/s = 3.6 m<sup>3</sup>/h  
 1 m<sup>3</sup>/h = 0.278 l/s  
 1 kPa = approx. 100 mm  
 1 bar = 100 kPa

### PRESSURE TEMPERATURE RATINGS



Notes:  
 1 bar = 14,5 psi  
 1 bar = 14,5 lbf/in<sup>2</sup>  
 °C = 5/9 x (°F-32)  
 °F = 32 + (9/5 x °C)

## TECHNICAL DRAWING



DN	1/2"	3/4"	1"
<b>Grms.</b>	<b>350</b>	<b>410</b>	<b>505</b>
A	35	35	35
B	58	60	62
C	77	80	87
C1	106	107	107
D	17	18,5	21
CH	25	31	38

Threads:  
ISO 7 - Rp

## TECHNICAL CHARACTERISTICS

KV - KVS			
DN	1/2"	3/4"	1"
KV - KVS	1,70	2,90	3,50

KV = Flow rate in m<sup>3</sup>/h at a pressure drop of 1 bar

KVS = Water flow rate that causes a pressure drop of 1 bar measured on the pressure connections

## OUR CERTIFICATIONS

